

ELECTROMAGNETIC SAFETY VALVES RAPID OPENING AND CLOSING TYPE VM-R SERIES

FEATURES

- Pressure: 200 /360 mbar
- Adjustable capacity: 0-100 %
- Voltage rating: 115/230 V 50/60 Hz
- Voltage (by request): 24/12 V AC/DC
- Tension tolerance: from -15% to +10%
- Ambient temperature: from -15° to +60°
- Closing/opening time: < 1 second
- Coil orientation: 360°
- Protections: IP 54
- Cable-press: PG 11
- Antidust filter: incorporated
- Pipe taps: 1/4" upon 2 sides
- Limit switch: by request
- The solenoid valve has also been certified by GASKET n° CE-0063AQ1350 in according to EN161.

INSTALLATION

In any position (with the coil from an upright to a horizontal position). It is recommended to verify the accordance between the flow direction and that of the arrow indicated on the valve, to keep such a distance from the walls that air can circulate freely, to check the exact alignment of connection pipes; do not use coil as a lever arm, but for this purpose use the special seats on the valve body.

ELECTRIC CONNECTION AND COIL REPLACEMENT

The connection must be carried out by removing the protection cap and connecting the line to of the rectifier clips placed in the connection box. After having closed gas and disconnect power, remove the coil by unscrewing the cap placed on its top. The coils damaged by atmospheric discharges often have only one or several burnt diodes. If the resistance at the end of winding end cables is about 2000 Ohm by 1/2", 1000 Ohm by 3/4" - 1", 600 Ohm by at 1.1/4" - 1.1/2" - 2", 285 Ohm by 2.1/2" - 3", when the cables are unsoldered, it is sufficient to replace the rectifier to get the coil working.



Headquarters
Esa S.r.l.
Via E. Fermi 40 I-24035 Curno (BG) - Italy
Tel. +39.035.6227411 - Fax +39.035.6227499
esa@esacombustion.it - www.esapyronics.com

International Sales
Pyronics International S.A./N.V.
Zoning Ind., 4ème rue B-6040 Jumet - Belgium
Tel +32.71.256970 - Fax +32.71.256979
marketing@pyronics.be

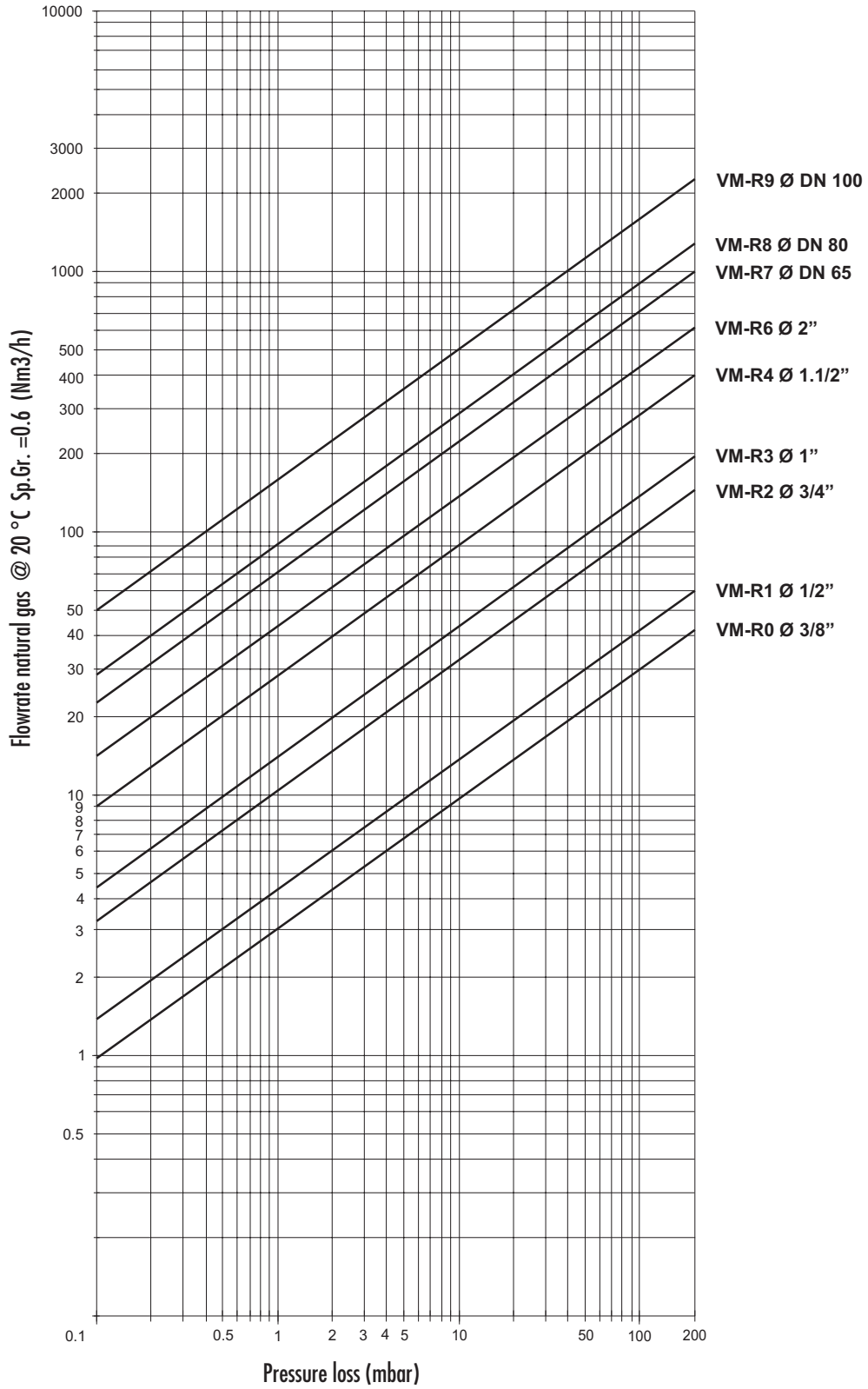
CAPACITY ADJUSTMENT

At the moment of testing the valves are adjusted with max. capacity (adjustment screw completely open). The adjustment must be carried out by acting on the screw placed under the coil fixing cap. After having removed the cap and the fixing grain, every turn clockwise reduces the capacity of about 25% at 1/2", 6% at 2.1/2" - 3", 15% at 1", 12% at 1.1/4" - 1.1/2", 10% at 2", 6% at 2.1/2" - 3". It is recommended to carry out the capacity adjustment when the burner is working and if it is possible, operate only on the valves of gas system; after having adjusted the capacity, screw the fixing grain again.. It is better not to carry out any adjustments lower than 40% of the connection pipes capacity because these pipes can give problems on the flows range when there are pressure variations.

CLEANING AND MAINTENANCE

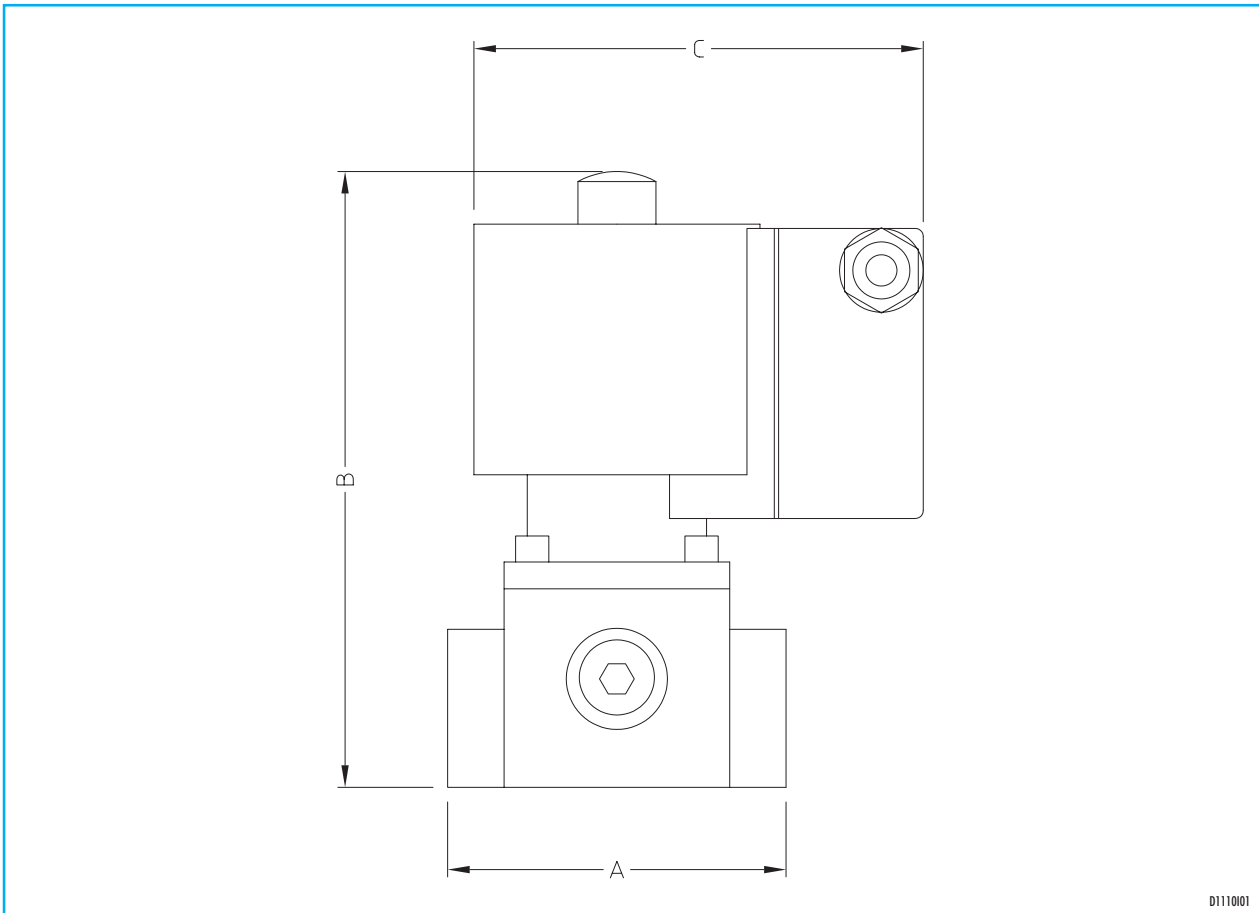
Dust and foreign bodies can be easily removed from filter or from gas passage seat by removing the coil and unscrewing the 4 screws which fix the counter-flange to the valve body. Possible assembling problems caused by sliding clamps can be solved by winding them for some instants on a cylindrical body with a diameter lower than the core, in order to make the exact placing easier.

CAPACITY TABLE



6111001

DIMENSIONS



D1110101

Model	VMR0	VMR1	VMR2	VMR3	VMR4	VMR6	VMR7	VMR8	VMR9
Threaded connections	G-3/8"	G-1/2"	G-3/4"	G-1"	G-1.1/2"	G-2"	-	-	-
Flanged connections	-	-	-	-	-	-	PN16-DN65	PN16-DN80	PN16-DN100
A mm	77	77	96	96	153	156	305	305	350
B mm	140	140	164	164	220	230	355	355	492
C mm	96	96	108	108	128	128	143	143	190
Closing strenght kg/f	1,2	1,2	2,5	2,5	5,5	6,5	12,5	14	14
Power consuption	20	20	45	45	20/80 *	20/80 *	60/240 *	60/240 *	80/240 *
Working pressure mbar	200/360	200/360	360	360	360	360	200/360	200/360	200/360
Mass kg	1,4	1,4	2,5	2,5	5,7	6	14	14	36

* On function/On opening