

METALLIC BURNER

16 MB SERIES

FEATURES

- Mixer body: cast iron G25
- Gas inlet block: cast iron G25
- Flame tube: AISI310
- Nozzle: AISI303
- Optional refractory block, max temp.: 1750°C
- Low air and gas pressures required: 40 mbar
- Adequate to different types of gas: CH₄/L.P./propane/etc.
- Excellent flame stability with: excess air
excess fuel
on ratio firing
- Low No_x level.
- Wide turndown range.
- Easily replaced electrodes.
- Separated air and gas inlets, mixing at discharge point, no flashback.
- Light, small compact burners supplied with gas inlet ball valve, safety solenoid valve, zero regulator with impulse line, micrometer type gas flow adjuster, flame and sight electrodes, peepsight, straight air sleeve, calibrated orifice plate flow meters to measure air and gas flows.



APPLICATIONS

- Air heaters.
- Steam generators.
- Incinerators.
- Driers.
- Heat treat furnaces for rubber, fabric, resin, carpets, paints, solvents.
- Textile, dying machines (Rameause).
- Stress Relieving Furnaces.



Headquarters
Esa S.r.l.
Via E. Fermi 40 I-24035 Curno (BG) - Italy
Tel. +39.035.6227411 - Fax +39.035.6227499
esa@esacombustion.it - www.esapyronics.com

International Sales
Pyronics International S.A./N.V.
Zoning Ind., 4ème rue B-6040 Jumet - Belgium
Tel +32.71.256970 - Fax +32.71.256979
marketing@pyronics.be

DESCRIPTION

Metallic burners, model 16MB, are nozzle mix burners.

Gas and air are mixed only at the point of discharge, thus flashback is prevented. This allows for adjustments on stoichiometric ratio and excess air. Maximum ratings are obtained with 40 mbar air pressure. Low pressure air blowers are required. 16MB burners are meant to operate on textile, dyeing machines, therefore pre-mounted complete

gas line is supplied. A supply air piping may be supplied on request for one or more burners. The dimensions listed below refer to a particular application on machines Reggiani and are just indicative. For any enquiry about operation of the burner please contact our technical office.

INSTALLATION

16MB metallic burners are supplied with pre-mounted gas pipes. The zero regulator must be mounted in a horizontal position. Avoid

mounting with flame up which may cause condensation resulting in ignition problems.

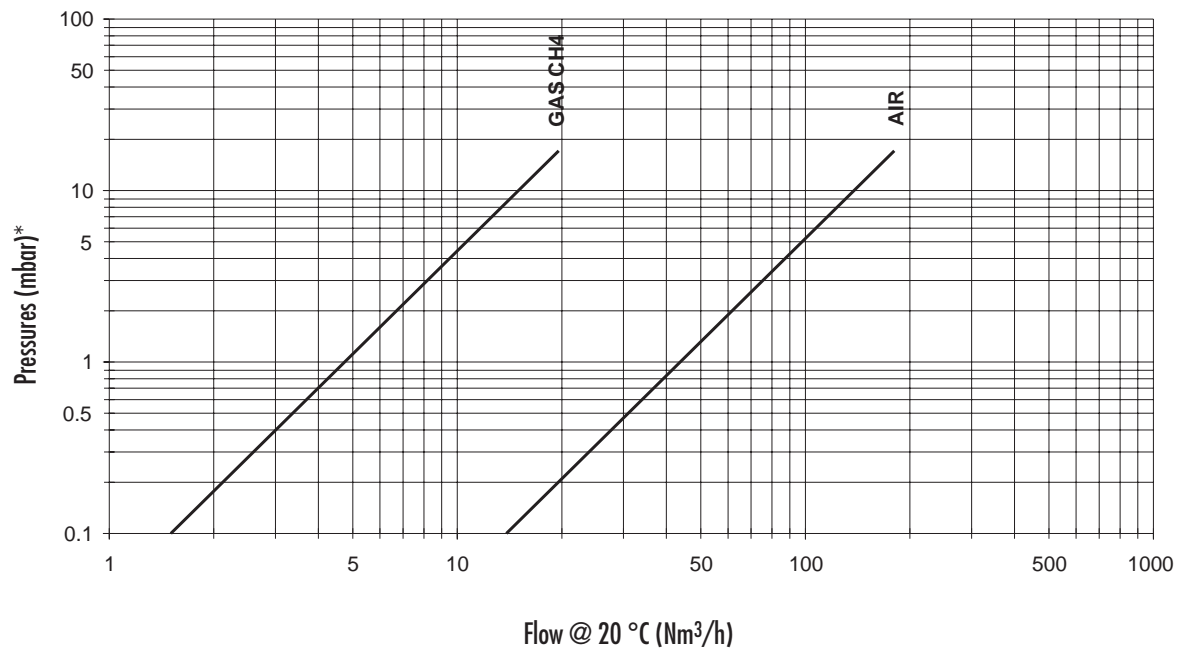
IGNITION AND FLAME DETECTION

Burner ignition is achieved by a direct spark ignition electrode. A pilot burner, model P42PBST-W/X, can be supplied on request. Flame detection is done through an electrode or on request a UV-2

Ultraviolet Scanner. Flame detection systems are required on all burners with furnace temperatures below 750°C.

Catalog No.	Pilot burner ignition		Electrode ignition	
	Ignition	Detection	Ignition	Detection
16MB	P42PBST-W/X	Wand	3EN / IS-4	3EN / IS-4

CAPACITY TABLE



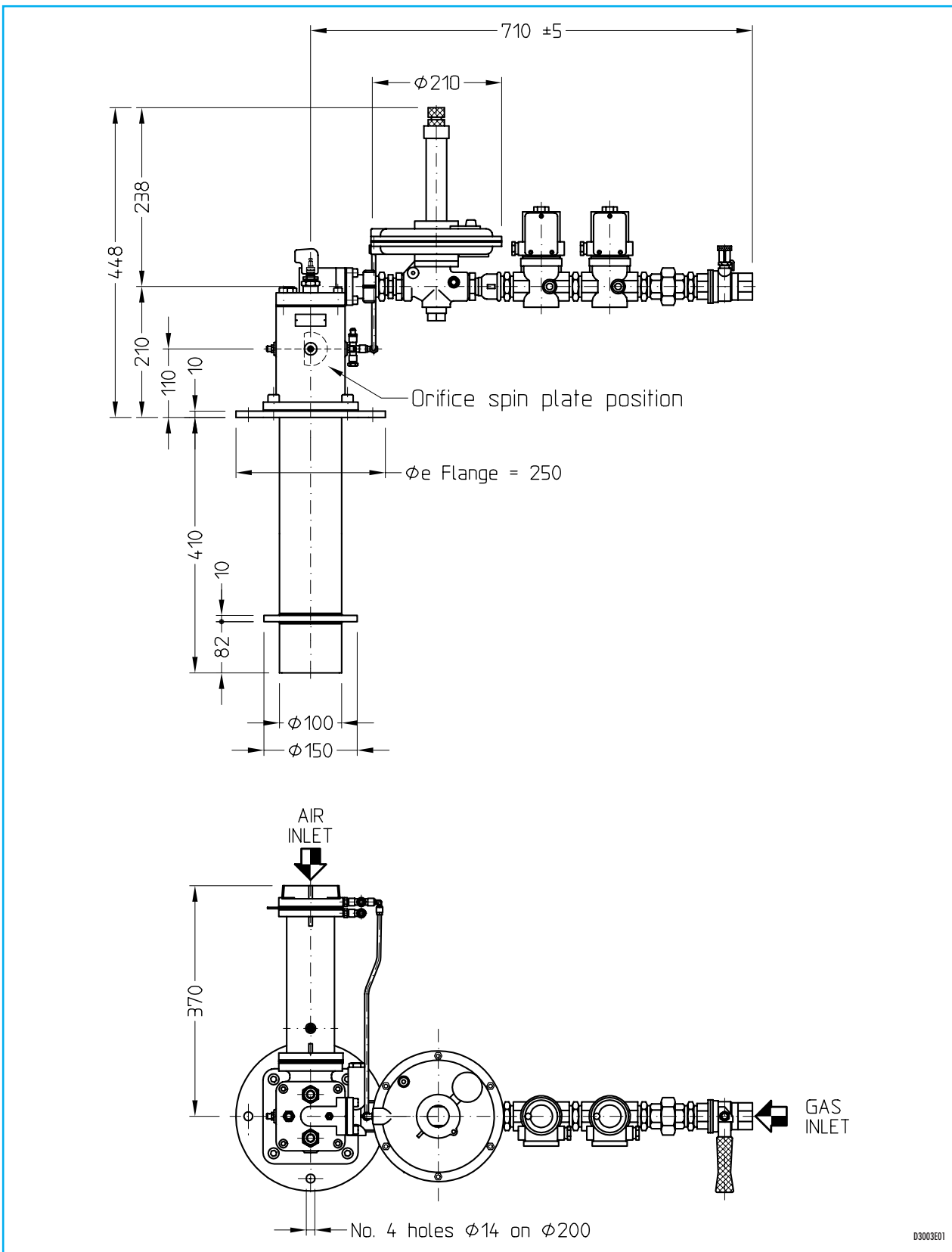
G3003101

CALIBRATION TABLE

Air supply pressure (BZR impulse line)	(mbar)	0.5	1.5	6.0	13.5	30.0
ΔD air orifice dia. 45.1 mm	(mbar)	0.2	0.9	3.5	7.5	17.0
ΔP straight air sleeve 20SS	(mbar)	0	0.5	1.8	3.8	8.5
Burner air pressure	(mbar)	0.2	0.8	3.0	7.0	16.0
Burner natural gas pressure	(mbar)	0	0.3	0.5	3.5	8.0
Air flow	(Nm³/h)	20	40	80	120	180
Natural gas flow	(Nm³/h)	1	2.5	5.75	9	13.5

Screw gas adjuster position from top of body = -19 mm
 Gas adjuster port = 7.5 mm

DIMENSIONS



APPLICATION ON RAMEUSE

