

# AIR SHIELDS AS SERIES

## FEATURES

- Material: AISI310

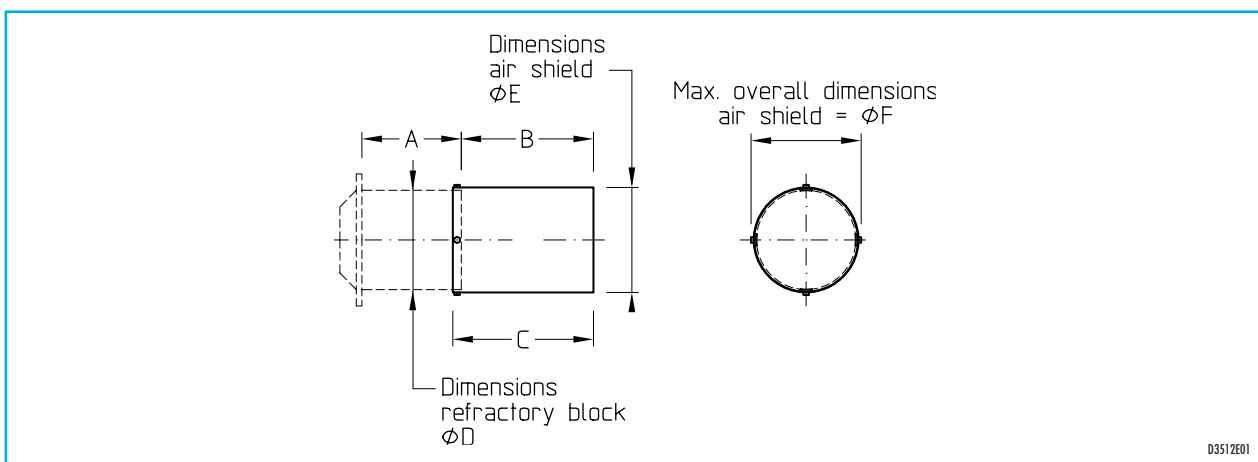
## DESCRIPTION

AS series air shields are used on burners installed in low temperature processes where unprotected flames may quench if cooled down. AS air shields are bolted to the suitably modified burner jacket.

## APPLICATIONS

- Suitable for ESA-PYRONICS burners.

## DIMENSIONS



Catalog no.	A mm	B mm	C mm	$\phi D$ mm	$\phi E$ mm	$\phi F$ mm	To fit burners (round blocks)
2435 C2	330	457	508	400	413	425	4001-NM/6001-NM/8001-NM/4004-NM/48-XNM/48XDF
2435 C4	305	457	508	298	300	313	2501-NM/32-XNM/24XDF/32-XDF
2435 C5	254	457	508	203	216	229	1001-NM/1501-NM/20-XNM/24-XNM/16-XDF
2435 C6	305	457	508	546	559	572	6006-NM
2435 C7	406/610	508	559	1016	1035	1051	32004-NM/48-4-XDF
2435 C8	381	457	508	711	730	746	10004-NM/24-4-XDF
2435 C9	229	254	305	178	191	203	301-NM/10-XNM/12-XNM
2435 C10	229	330	381	178	191	203	601-NM/16-XNM
2435 C12	406/610	508	559	813	832	848	12002-NM/16002-NM/48-2-XDF
2435 C13	406/610	508	559	876	895	911	18003-NM/24003-NM/48-3-XDF
2435 C14	381	457	508	889	908	924	32-4-XDF
2435 C15	406/610	498	559	1270	1289	1305	48006-NM
2435 C16	406/610	508	559	1422	1441	1457	48-6-XDF

For furnace cutout, add 6 mm to dimensions "F".



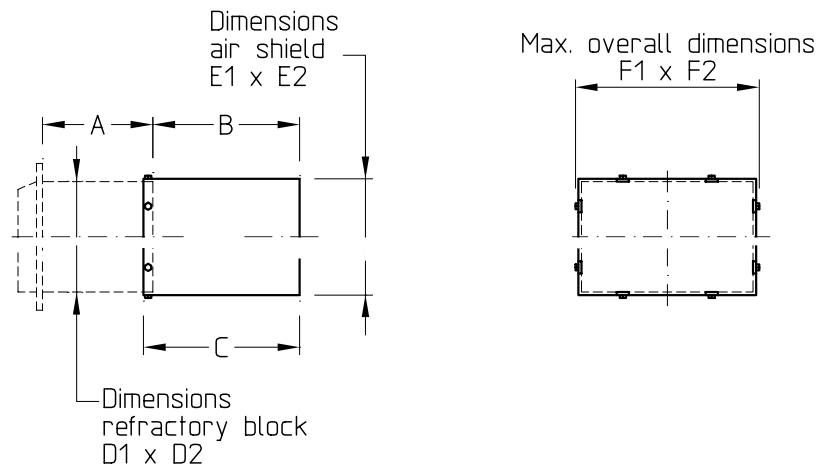
### Headquarters

Esa S.r.l.  
Via E. Fermi 40 I-24035 Curno (BG) - Italy  
Tel. +39.035.6227411 - Fax +39.035.6227499  
esa@esacombustion.it - www.esapyronics.com

### International Sales

Pyronics International S.A./N.V.  
Zoning Ind., 4ème rue B-6040 Jumet - Belgium  
Tel +32.71.256970 - Fax +32.71.256979  
marketing@pyronics.be

## DIMENSIONS



D3512E02

Catalog no.	A mm	B mm	C mm	D1xD2 mm	E1xE2 mm	F1xF2 mm	To fit burners (rectangular)
3700 C	254	467	508	197x349	210x362	222x375	2002-NM
4351 C1	229	254	305	178x178	191x191	203x203	301-NM/10-XNM/12-XNM
4351 C2	229	330	381	178x178	191x191	203x203	601-NM/16-XNM
4351 C4	102	152	203	102x102	115x115	127x127	101-NM

For furnace cutout, add 6 mm to dimensions "F1" and "F2".