

# ELBOWS AND PEEPSIGHTS FOR BURNERS CR SERIES

## FEATURES

- Elbow: cast iron G25
- Peepsight: brass
- Compact construction mounted in-line of the burner.



E3999101

## DESCRIPTION

The elbows equipped with peepsight are usually used to allow for easy inspection of the flame inside the refractory block. In the following tables the elbows are dimensioned together with separate tables for some burners with elbows.



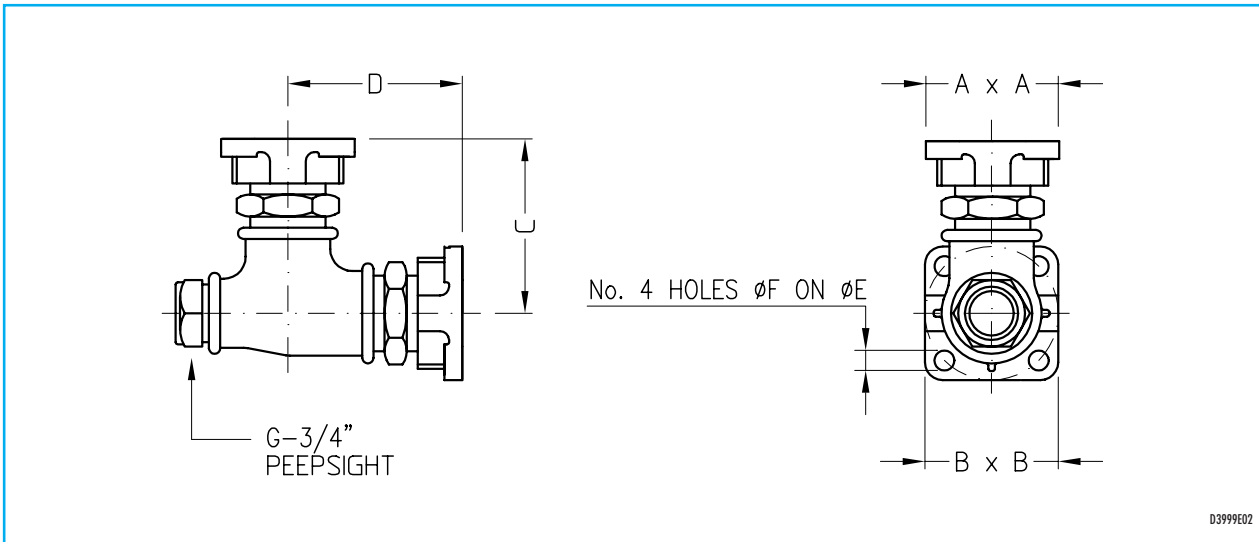
E3999102



**Headquarters**  
Esa S.r.l.  
Via E. Fermi 40 I-24035 Curno (BG) - Italy  
Tel. +39.035.6227411 - Fax +39.035.6227499  
esa@esacombustion.it - www.esapyronics.com

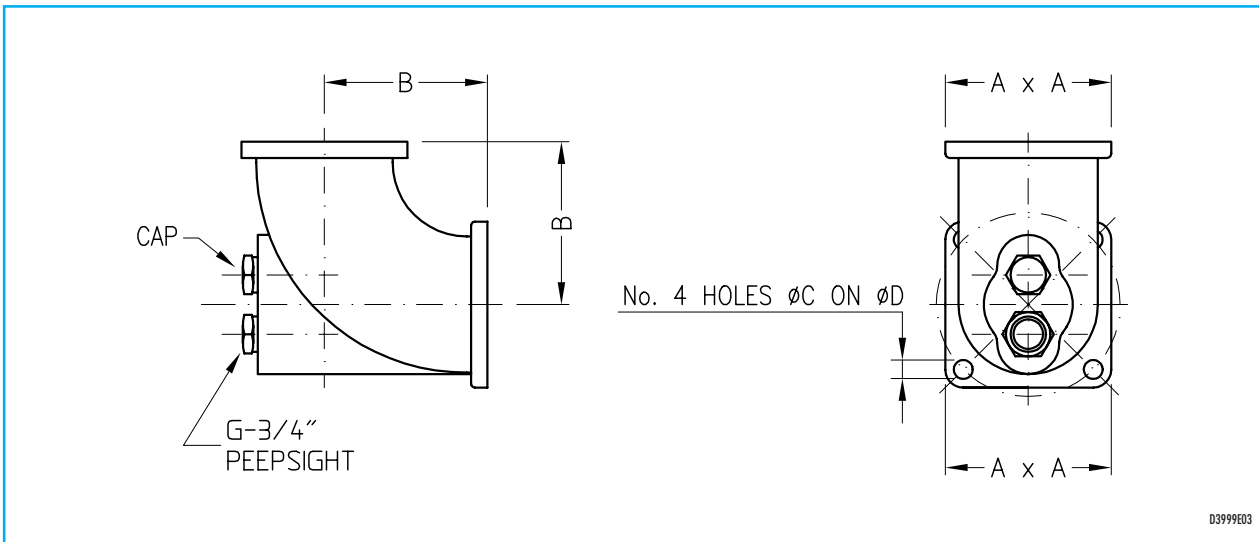
**International Sales**  
Pyronics International S.A./N.V.  
Zoning Ind., 4ème rue B-6040 Jumet - Belgium  
Tel +32.71.256970 - Fax +32.71.256979  
marketing@pyronics.be

DIMENSIONS



D3999E02

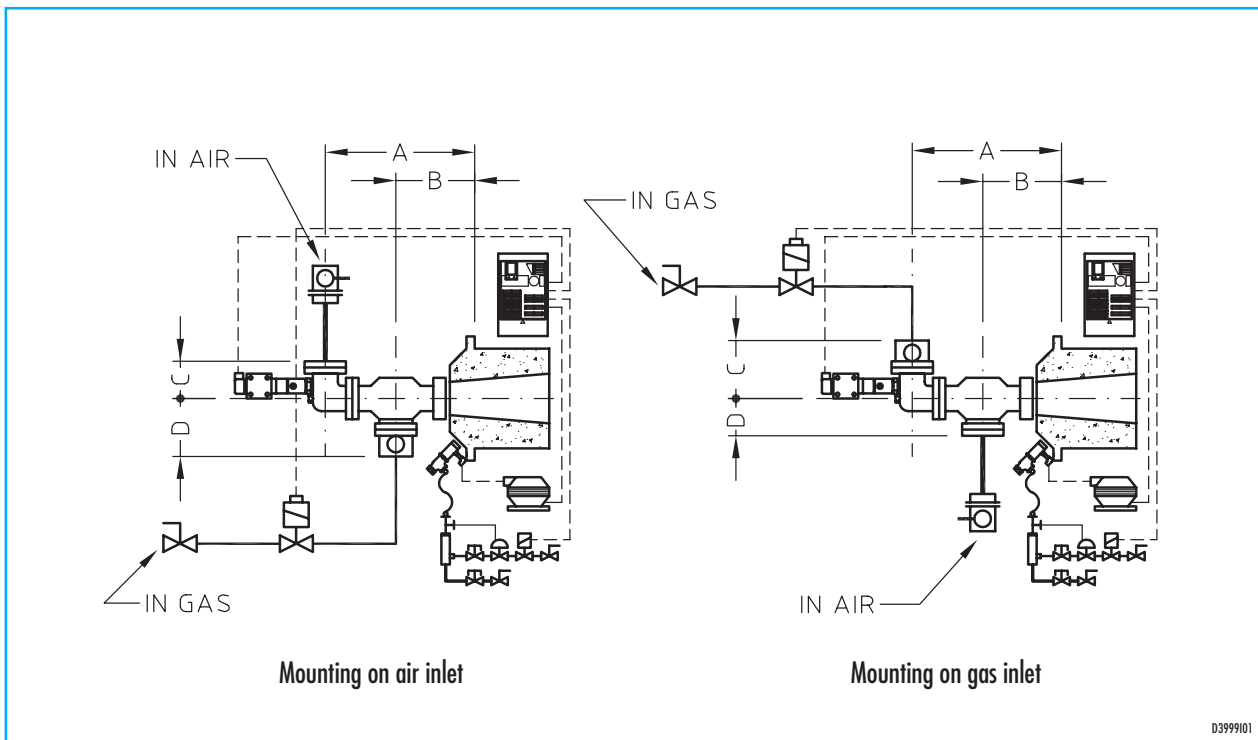
Catalog no.	A mm	B mm	C mm	D mm	ø E	ø F
8 CR	60	60	80	80	60.3	10
12 CR	76	76	108	108	81	12
16 CR	87	87	116	116	96.8	12



D3999E03

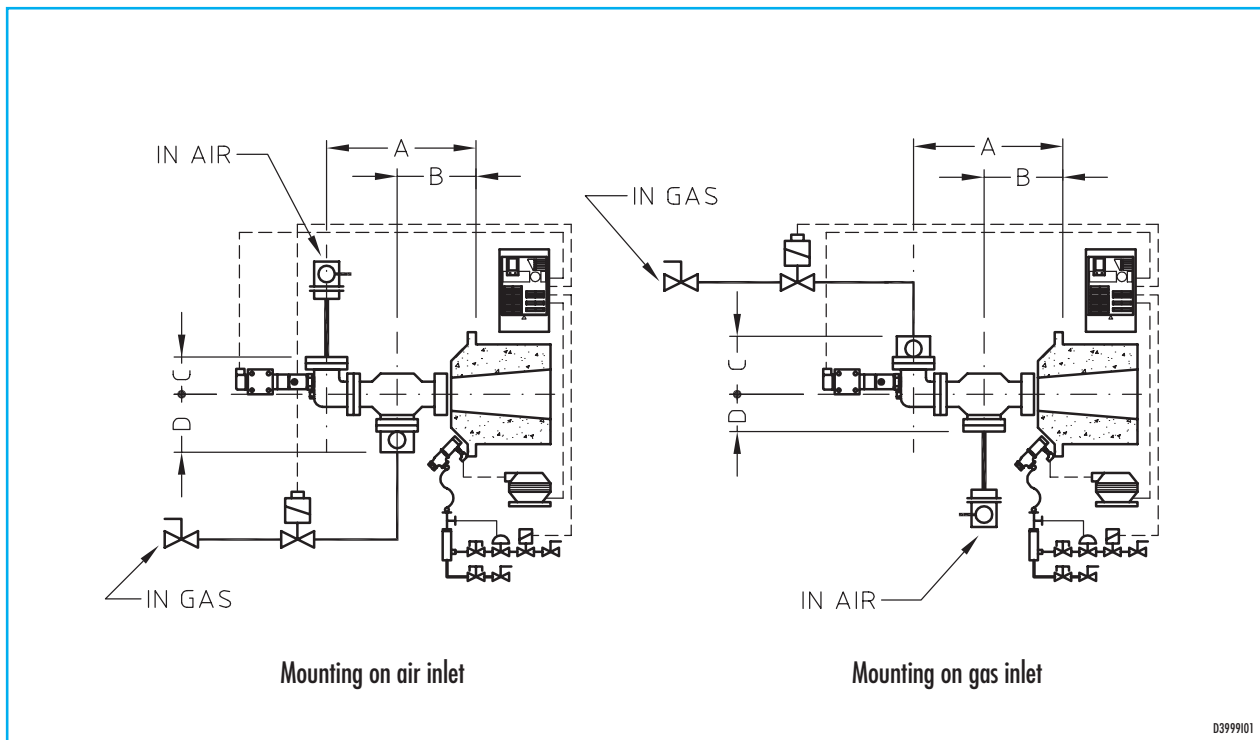
Catalog no.	A mm	B mm	C mm	D mm
24 CR	114	110	12	123.8
32 CR	154	106	14	168.1
48 CR	205	130	14	235

## DIMENSION ELBOW 8 CR



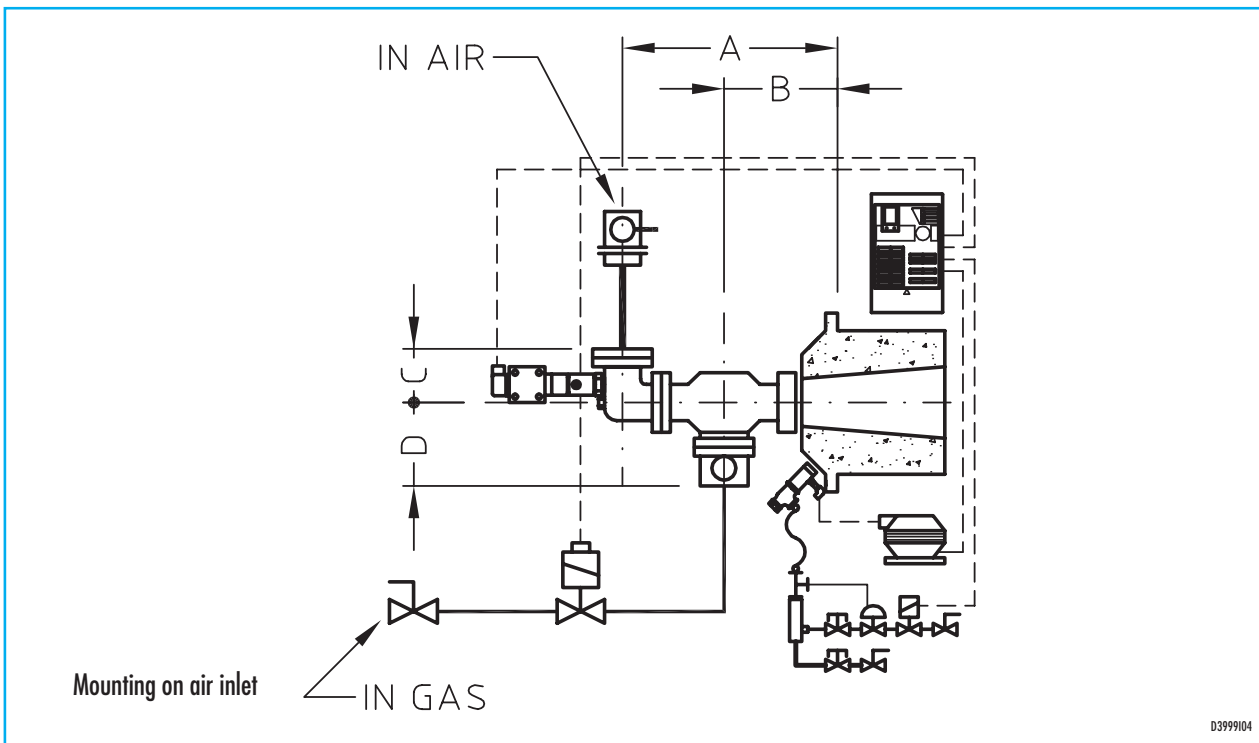
Burner catalog no.	Mounting position	A mm	B mm	C mm	D mm
101NM	AIR INLET	143	48	102	121
HS-2	AIR INLET	146	115	102	76
HS-3	GAS INLET	255	121	127	79
HS-4	GAS INLET	280	130	127	86
RE-1	GAS INLET	235	121	127	79
RE-2	GAS INLET	235	121	127	79
RE-3	GAS INLET	235	121	127	79
RE-4	GAS INLET	286	146	127	86
SW-1	GAS INLET	245	121	127	83
SW-2	GAS INLET	273	149	127	83
SW-3	GAS INLET	273	149	127	83
SW-4	GAS INLET	273	159	127	83
10XNM	GAS INLET	255	121	127	79.4
12XNM	GAS INLET	255	121	127	79.4
16XNM	GAS INLET	255	130	127	85.7

## DIMENSION ELBOW 12 CR



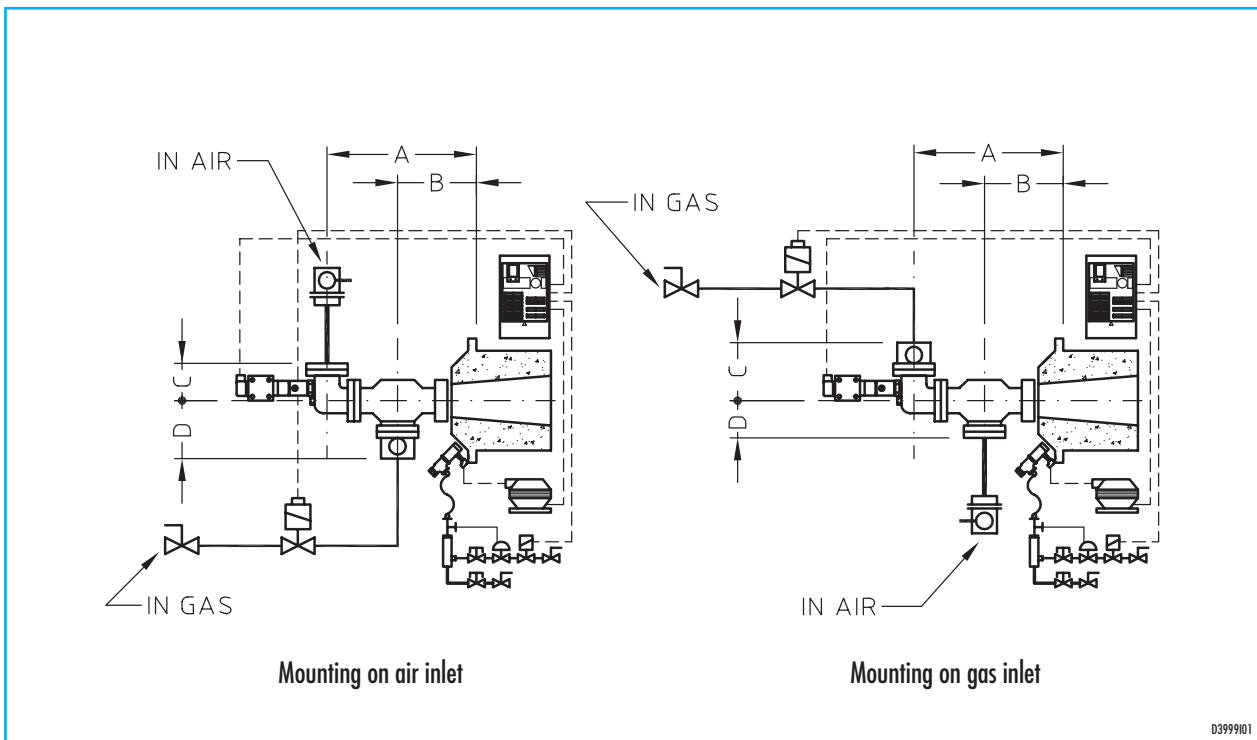
Burner catalog no.	Mounting position	A mm	B mm	C mm	D mm
201NM	AIR INLET	210.5	73	140.5	51
301NM	AIR INLET	274.5	114	140.5	95
HS-5	GAS INLET	349	152	168	108
HS-6	GAS INLET	349	152	168	108
RE-5	GAS INLET	348	165	168	108
RE-6	GAS INLET	348	165	168	108
SW-5	GAS INLET	358	175	168	111
SW-6	GAS INLET	358	175	168	111
20XNM-S	GAS INLET	346	175	168	108
24XNM-S	GAS INLET	346	175	168	108
20XNM-R	GAS INLET	346	152	168	108
24XNM-R	GAS INLET	346	152	168	108

DIMENSION ELBOW 16 CR



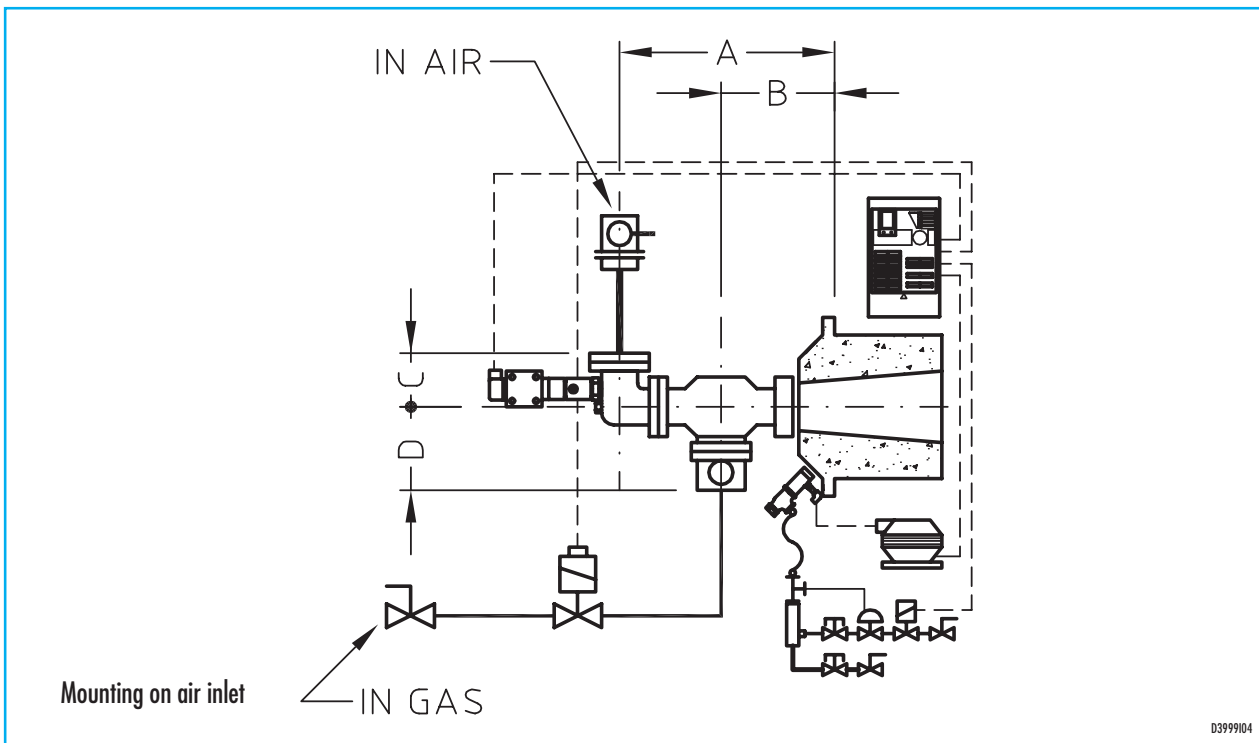
Burner catalog no.	Mounting position	A mm	B mm	C mm	D mm
601NM	AIR INLET	282.5	114	148.5	108

## DIMENSION ELBOW 24 CR



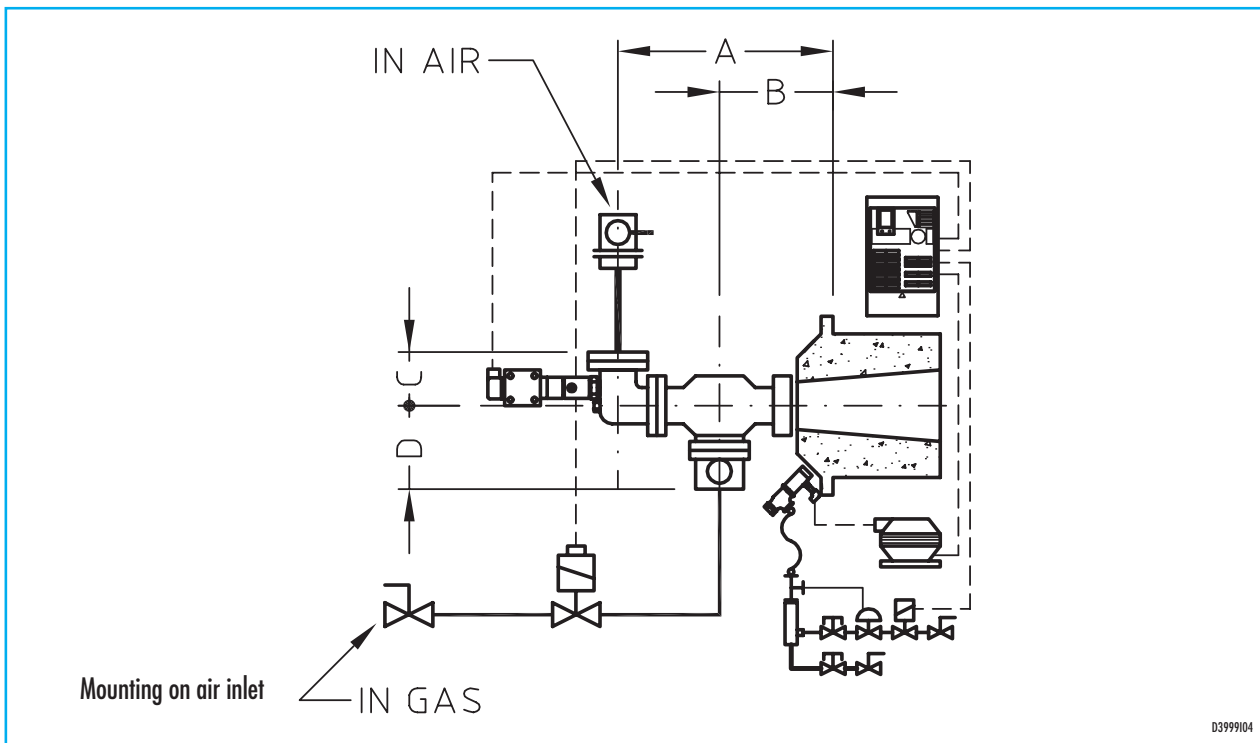
Burner catalog no.	Mounting position	A mm	B mm	C mm	D mm
1001NM	AIR INLET	326	140	150	124
1001NM-R	AIR INLET	304	117	150	124
1501NM-S	AIR INLET	326	140	150	133
1501NM-R	AIR INLET	304	117	150	133
HS-7	GAS INLET	440	137	214	216
HS-8	GAS INLET	494	175	214	229
RE-7	GAS INLET	389	178	214	136
SW-7	GAS INLET	316	191	214	140
32XNM-R	GAS INLET	427	216	214	136.5
48XNM-R	GAS INLET	481	229	214	174.6
RAD-65	GAS INLET	316	194	214	105
RAD-90	GAS INLET	402	205	214	135
RAD-120	GAS INLET	402	205	214	135

DIMENSION ELBOW 32 CR



Burner catalog no.	Mounting position	A mm	B mm	C mm	D mm
2501NM	AIR INLET	477	254	126	203

## DIMENSION ELBOW 48 CR



D3999104

Burner catalog no.	Mounting position	A mm	B mm	C mm	D mm
4001NM	AIR INLET	560 ÷ 565	275 ÷ 280	150 ÷ 155	270
6001NM	AIR INLET	560 ÷ 565	275 ÷ 280	205 ÷ 210	270
8001NM	AIR INLET	560 ÷ 565	275 ÷ 280	205 ÷ 210	270