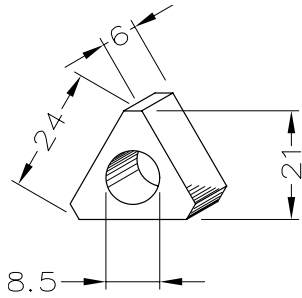
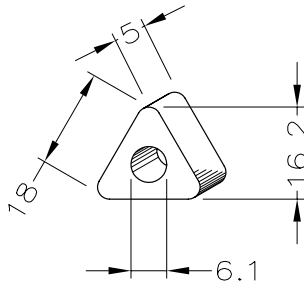


# INSULATING CERAMIC

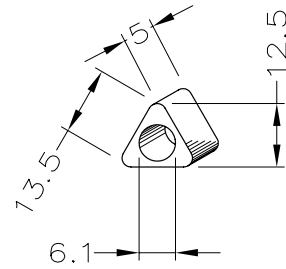
## COUPLING INSULATING TRIANGULAR SPACERS



MOD. IS-2  
COD. 73831



MOD. IS-8  
COD. 11919

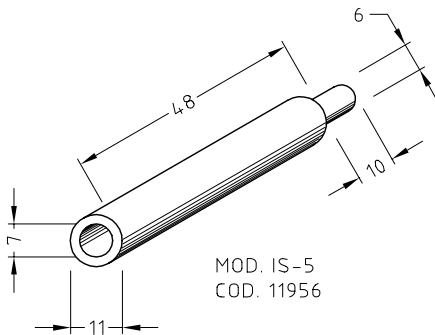


MOD. IS-9  
COD. 11920

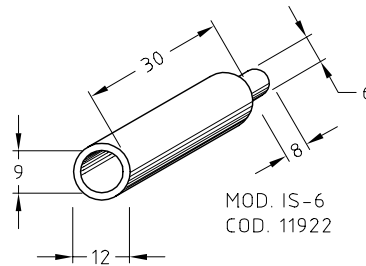
Material: Alumina

D500001

## SIMPLE OR COUPLING INSULATING SPACERS

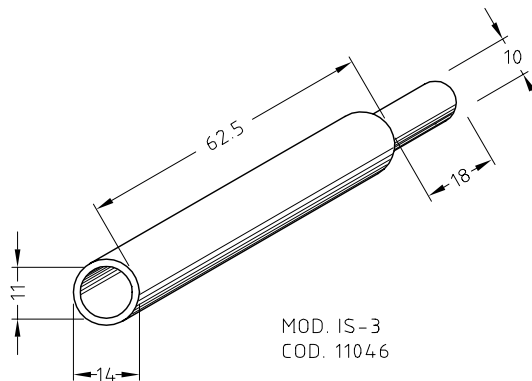


MOD. IS-5  
COD. 11956



MOD. IS-6  
COD. 11922

Catalog no.	internal ø mm
IS-3	4,5
IS-5	3,5
IS-6	3,5



MOD. IS-3  
COD. 11046

D500002



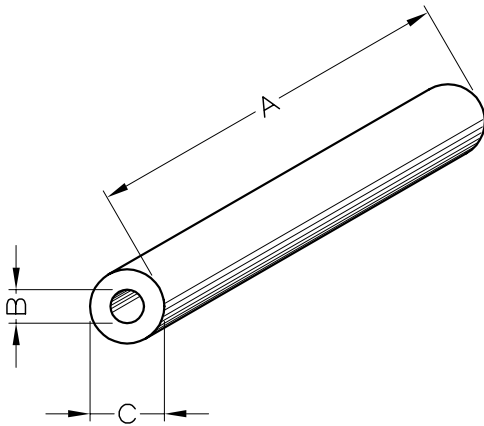
**Headquarters**

Esa S.r.l.  
Via E. Fermi 40 I-24035 Curno (BG) - Italy  
Tel. +39.035.6227411 - Fax +39.035.6227499  
esa@esacombustion.it - www.esapyronics.com

**International Sales**

Pyronics International S.A./N.V.  
Zoning Ind., 4ème rue B-6040 Jumet - Belgium  
Tel +32.71.256970 - Fax +32.71.256979  
marketing@pyronics.be

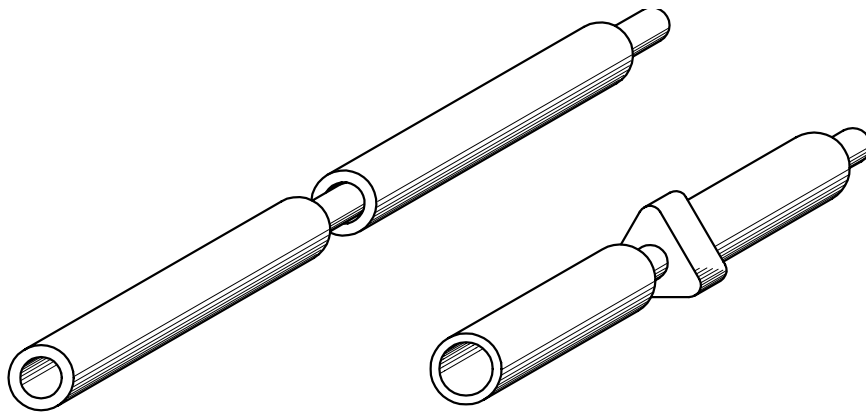
## INSULATING SPACERS



Catalog no.	A mm	ø B mm	ø C mm	Code
IS - 1	60	3.5	8	73830
IS - 4	50	4.5	10	73832
IS - 10	220	3.5	6.5	74257
IS - 11	300	3	8	12709

D5000103

## INSULATING SPACERS



D5000104