

SPARK PLUGS

MM SERIES

FEATURES

- Insulating part:
- Spark potential:
- H.T. connection:
- Double electrode discharge.

ceramic
5÷9000 V
radial terminal

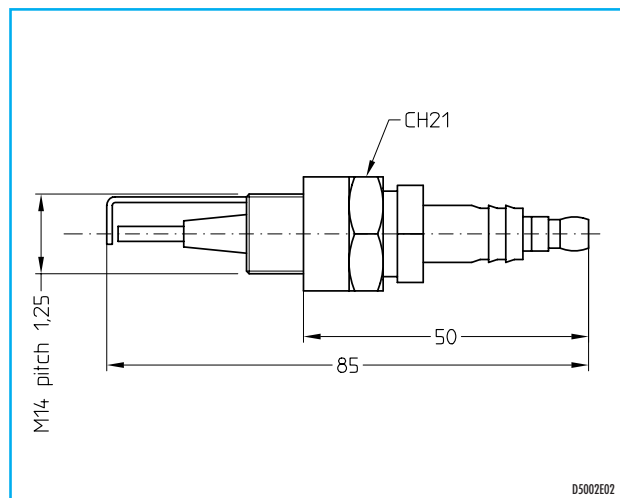
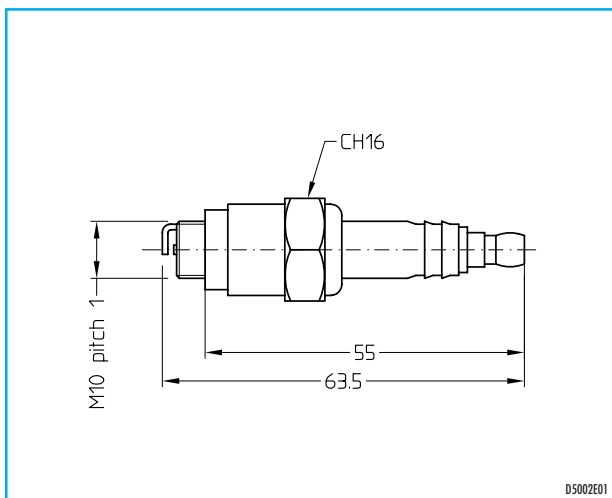


APPLICATIONS

- Model 10 MM is mounted on all pilot burners ESA.
- Model 14 MM is used only on burners model T200, T300 and T400.



DIMENSIONS



NOTE: Based on the company's policy aimed at a continuous improvement on product quality, Esa-Pyronics reserves the right to bring changes to the technical characteristics of this device without previous notice. Our catalog updated to the latest version is available on our web site www.esapyronics.it and it is possible to download modified documents

WARNING: When operating, this combustion system can be dangerous and cause harm to persons or damage to equipment. every burner must be provided with a protection device that monitors the combustion. the installation, adjustment and maintenance operations should only be performed by trained and qualified personnel.



Headquarters
Esa S.r.l.
Via E. Fermi 40 I-24035 Curno (BG) - Italy
Tel. +39.035.6227411 - Fax +39.035.6227499
esa@esacombustion.it - www.esapyronics.com

International Sales
Pyronics International S.A./N.V.
Zoning Ind., 4ème rue B-6040 Jumet - Belgium
Tel +32.71.256970 - Fax +32.71.256979
marketing@pyronics.be