

IMPULSE LINE TDL SERIES

APPLICATIONS

- Piloting for Balanced zero regulators (BZR).
- Piloting for flow control regulators (FCR).



E510001

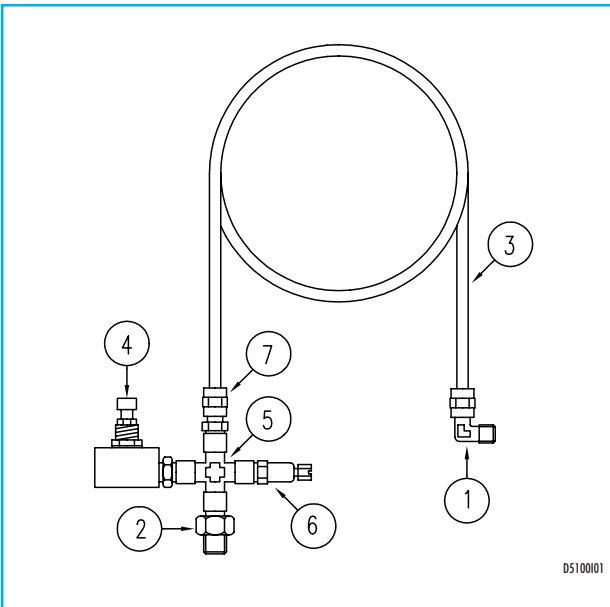
DESCRIPTION

TDL impulse lines are necessary to obtain a good flow control. Modulation of pneumatic valves requires optimization of the pilot signal in order to obtain best results.



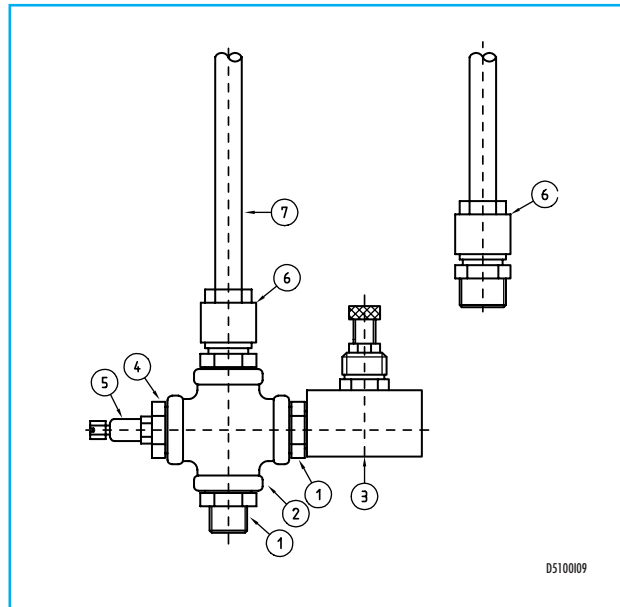
E510002

2 TDL

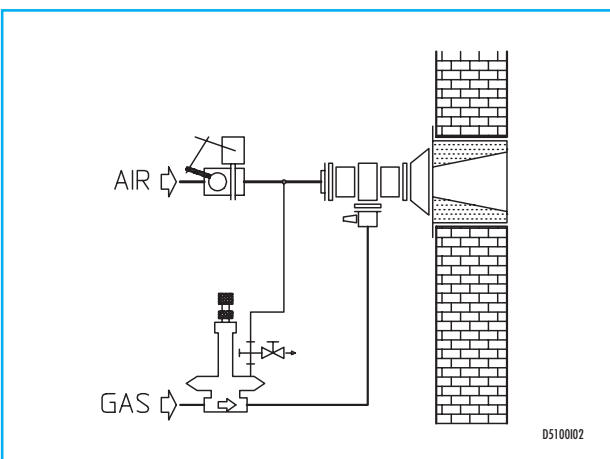


Pos.	Model identification	Catalog no.
1	1/8" elbow	10337
2	1/8" nipple	10339
3	Copper pipe	10301
4	RFO 383 throttle orifice	12003
5	1/8" cross	10346
6	1/8" pressure tap	10350
7	1/8" x 6 connector	10345

4 TDL

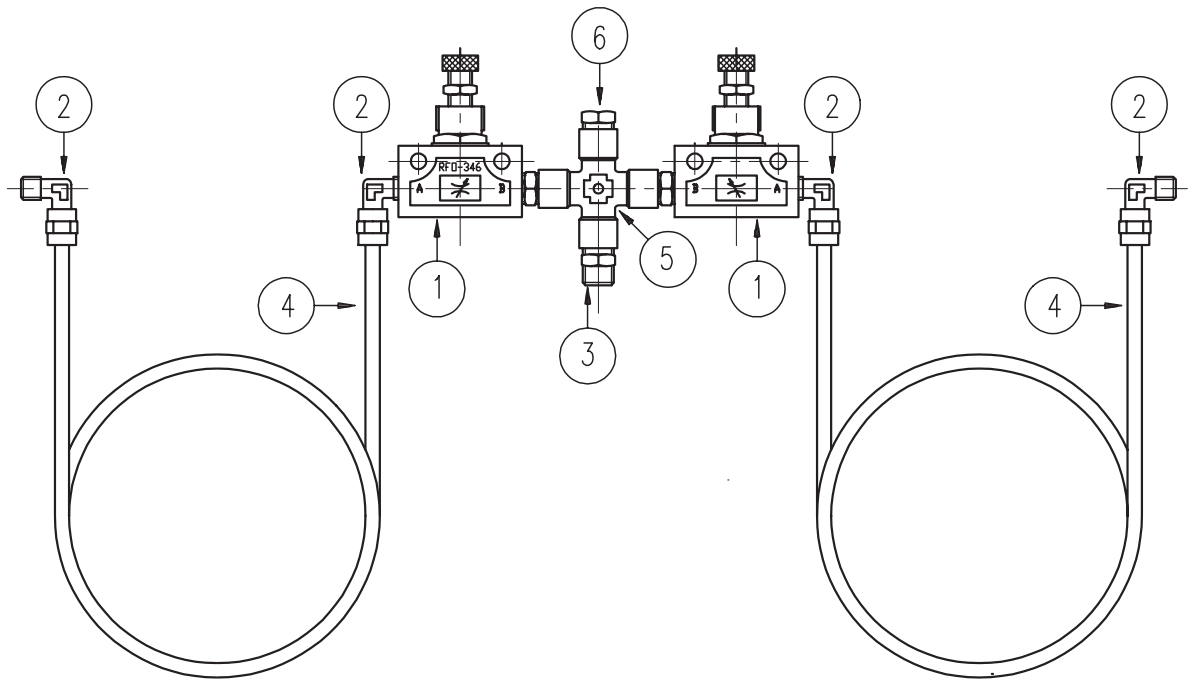


Pos.	Model identification	Catalog no.
1	1/2" x 1/4" nipple	11928
2	1/2" cross	11875
3	RFO 346 throttle orifice	11934
4	1/2" M x 1/8" F reducing socket	11235
5	1/8" pressure tap	11487
6	1/2" x 12 connector	11971
7	Copper pipe	10301



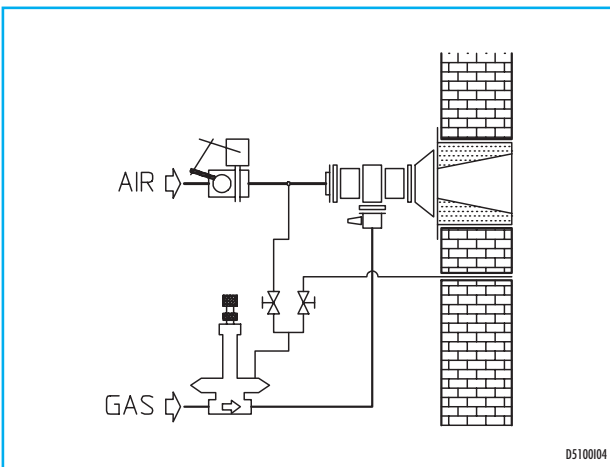
- On ratio firing at all rates.
- Combustion chamber at atmospheric pressure.

2 TDL-R



Pos.	Model identification	Catalog no.
1	RFO 346 throttle orifice	11934
2	1/4" elbow	11962
3	1/4" nipple	10342
4	Copper pipe	10301
5	1/4" cross	11056
6	1/4" cap	11055

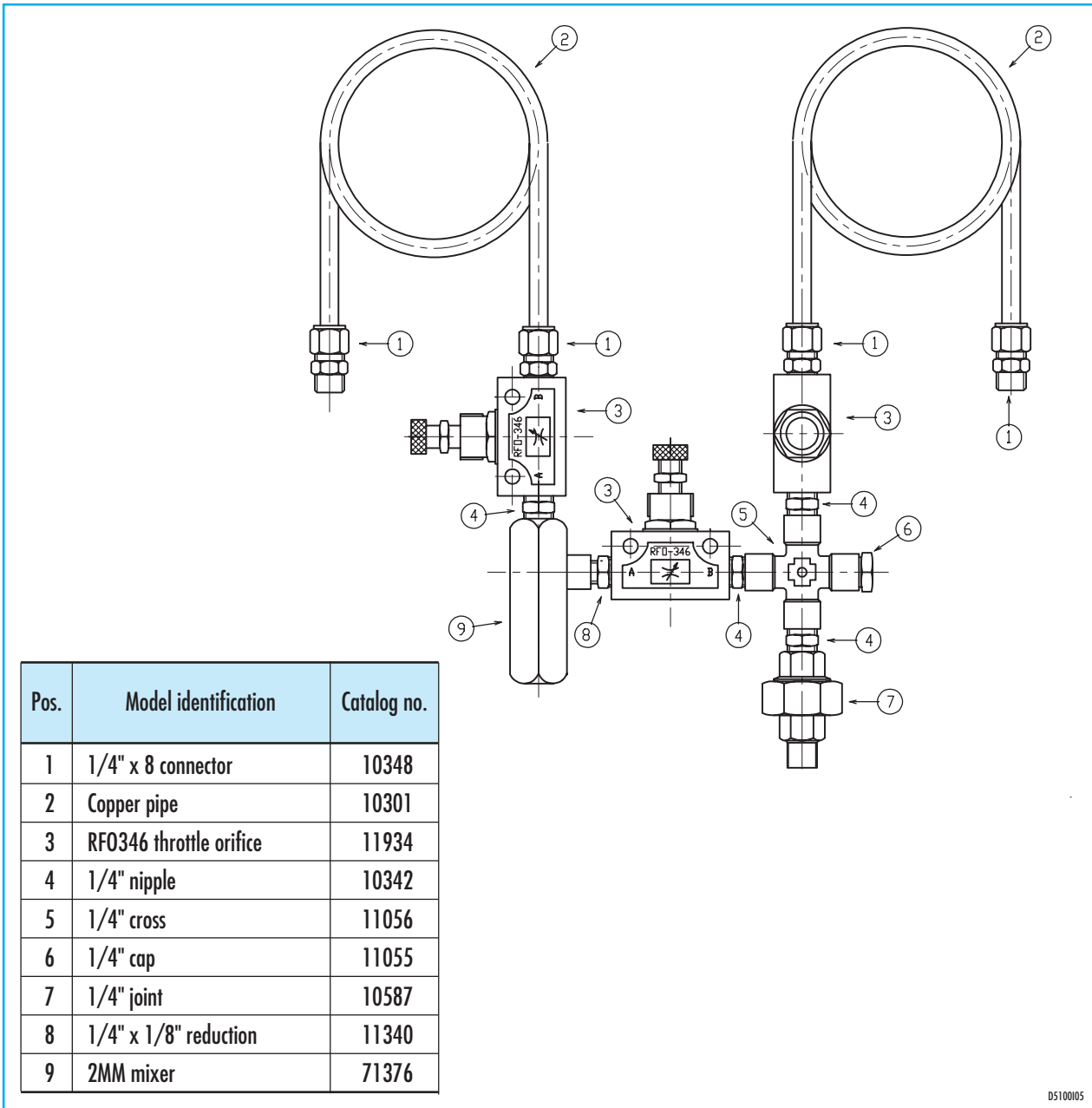
D510003



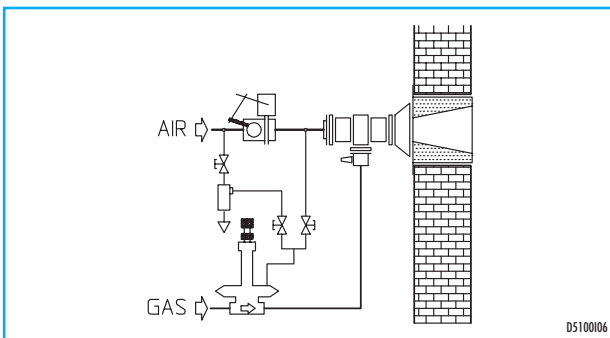
D510004

- On ratio firing at all rates.
- High/low pressure combustion chamber.

2 TDL-B



D510005



D510006

- Excess air in slow running; on ratio firing in the rest of the range.
- Combustion chamber at atmospheric pressure.

2 TDL-SER

Pos.	Model identification	Catalog no.
1	1/8" nipple	10339
2	1/8" cross	10346
3	RFO 383 throttle orifice	12003
4	1/8" elbow	12505
5	1/8" pressure plug	11487
6	1/8" x 6 elbow	10337
7	Copper pipe	10301
8	1/8" x 6 connector	10345

D5100107

Pos.	Model identification	Quantity
1	Zero regulator	1
2	Solenoid gas valve	1
3	Flow regulator	1
4	Electrode	1
5	UV-scanner	1
6	Radiant tube burner	1
7	Impulse line	1

D5100108

- On recuperative SER burners.
- On ratio firing during all range.
- Combustion chamber at atmospheric pressure.