

FLEXIBLE HOSE

FN - ESA FLEX SERIES

FEATURES - FN

- Material: AISI321
- Max. operating temperature: 500°C
- Max. operating pressure: (check specific size in dimension table)

FEATURES - ESA FLEX (PED*)

- Material: AISI321
- Flanges UNI EN 1092-1 PN10 Fe ST37
- Max. operating temperature: -10 +70 °C
- Max. operating pressure: PS 6 Bar

* Accordance with the directive PED 97/23/CE on request

APPLICATIONS

- Connection gas/air pipelines for any type of burner.
- Compensation of thermal expansion of hot fluid pipes.

DESCRIPTION

The flexible hoses are used on low pressure air or gas piping installation. They simplify the installation and connection of pipelines, allowing some alignment and position flexibility. The hoses have been designed also to prevent damage to burners, valves, regulators, blowers and accessories by reducing the stresses and strains of vibration, misalignment and thermal expansion of furnace and piping. Flexible hoses are made of corrugated unbrained steel, with steel nipples (FN) or flanges (ESA FLEX) at both extremity. When these flexibles are used to connect misaligned pipes, the pipe fitter should pre-bend them to the approximate required shape before installation so that no stress is applied to the burner or piping in the process of tightening the flange or union.

FN



E5603101

ESA FLEX



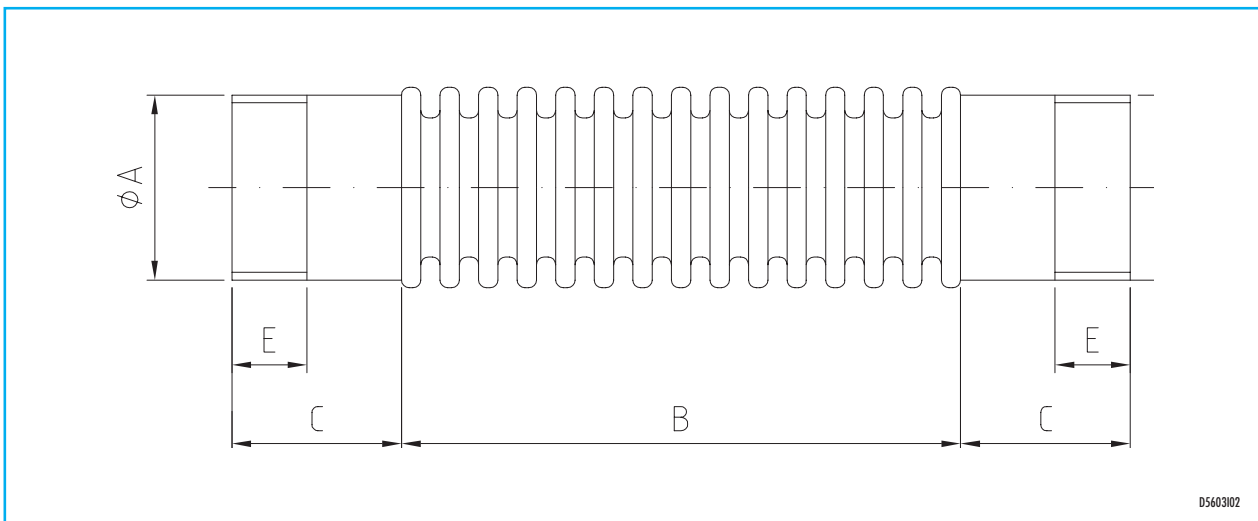
E5603101



Headquarters
Esa S.r.l.
Via E. Fermi 40 I-24035 Curno (BG) - Italy
Tel. +39.035.6227411 - Fax +39.035.6227499
esa@esacombustion.it - www.esapyronics.com

International Sales
Pyronics International S.A./N.V.
Zoning Ind., 4ème rue B-6040 Jumet - Belgium
Tel +32.71.256970 - Fax +32.71.256979
marketing@pyronics.be

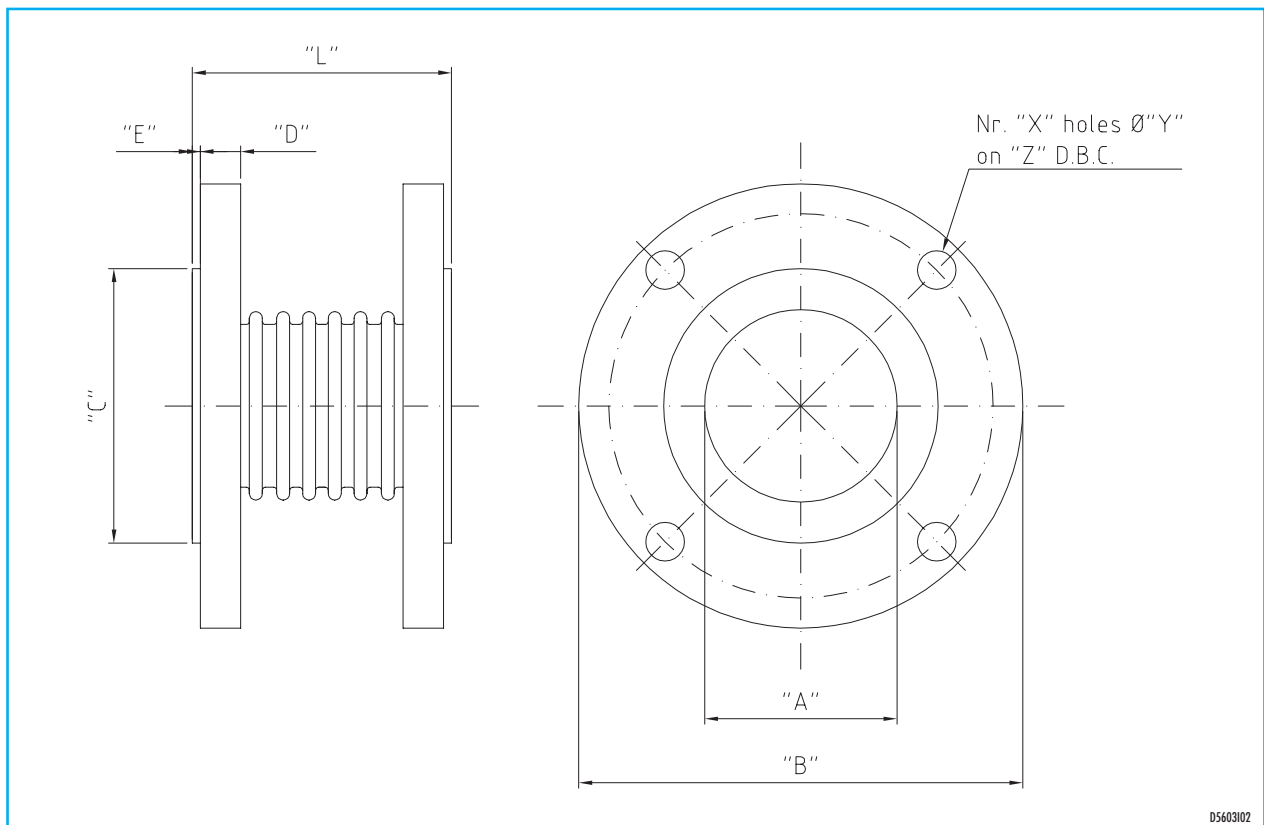
DIMENSIONS - FN



Model	ϕA	B mm	C mm	D mm	E mm	Max. press. bar	Weight kg
4 FN	G - 1/2"	85	40	165	15	7.7	0.23
6 FN	G - 3/4"	105	40	185	15	4.6	0.23
8 FN	G - 1"	115	40	195	15	3.9	0.45
10 FN	G - 1 - 1/4"	125	50	225	20	2.4	0.57
12 FN	G - 1 - 1/2"	135	50	235	20	1.9	0.68
16 FN	G - 2"	145	60	265	20	1.2	1.13
20 FN	G - 2 - 1/2"	170	60	290	20	0.9	1.58
24 FN	G - 3"	210	60	330	20	0.8	2.5
32 FN	4"	240	70	380	(*)	0.6	3.2
48 FN	6"	260	80	420	(*)	0.6	7
64 FN	8"	300	80	460	(*)	0.6	12

(*) With smooth, non threaded sleeve.

DIMENSIONS - ESA FLEX



Model	\varnothing A	\varnothing B mm	\varnothing C mm	D mm	E mm	L mm	X mm	Y mm	Z mm	Weight kg
F25	DN25	115	68	14	2	60	4	14	85	2.30
F32	DN32	140	78	16	2	65	4	18	100	3.10
F40	DN40	150	88	16	2	75	4	18	110	3.95
F50	DN50	165	102	18	2	95	4	18	125	4.80
F65	DN65	185	122	18	2	110	4	18	145	5.90
F80	DN80	200	138	20	2	125	4	18	160	7.20
F100	DN100	220	158	22	2	150	8	18	180	7.82
F125	DN125	250	188	24	2	175	8	18	210	13.00
F150	DN150	285	212	24	2	200	8	22	240	15.00
F200	DN200	340	268	26	2	240	8	22	295	17.30

NOTE: Based on the company's policy aimed at a continuous improvement on product quality, ESA-PYRONICS reserves the right to bring changes to the technical characteristics of this device without previous notice. Our catalog updated to the latest version is available on our web site www.esapyronics.com and it is possible to download modified documents

WARNING: Operating a combustion system can be dangerous and cause harm to persons or damage to equipment. Every burner must be provided with safety devices that monitors the combustion. The installation, adjustment and maintenance operations should only be performed by trained and qualified personnel.